

**STANDARD TRIM TABLE OF CONTENTS**

Standard Trim Product Description.....	2
Trim Features .....	2
Standard Trim and Hardware Accessories .....	3
ST0010PE – Low Eave Trim .....	3
ST0020PE – Rake, Ridge, and High Eave Trim.....	4
ST0030PE – Wall Trim and Roof Line Corner Pieces .....	5
ST0040PE – Roof Line Corner Pieces .....	6
ST0050PE – Wall Trim .....	7
ST0060PE – Framed Opening Trim .....	8
ST0070PE – Nucor CFR™ Roof Hardware .....	9
ST0080PE – Nucor CFR™ Roof Hardware .....	10
ST0090PE – Nucor CFR™ Roof Tape Mastic and Caulk .....	11
V2SSEM0430 – Nucor VR16 II™ Roof Hardware.....	12
V2SSEM0440 – Nucor VR16 II™ Roof Hardware.....	13
VSSEM0450 – Nucor VR16 II™ Roof Tape Mastic and Caulk .....	14
ST0100PE – Fasteners .....	15

## **STANDARD TRIM PRODUCT DESCRIPTION**

### **TRIM FEATURES**

1. Most Nucor standard trim is precision roll formed.
2. Standard colors compliment wall panel selection.
3. All roof line trim (gutter, eave, & rake) and standard base angle flash are available in burnished slate as standard, polar white as an option. Other colors are available at additional charge.
4. All wall trim (corner, head, jamb, downspout assembly, & optional base flash) is available in all standard Nucor colors, and will match the wall panel color unless otherwise noted at time of order.
5. Downspout assembly & Optional base flash are available in all Nucor standard colors and will be selected by the customer.

For additional information about Nucor Building Systems standard trim, including dimensions, materials and pricing, see the Nucor Building Systems website at the below link or contact your Nucor Building Systems division to obtain credentials for accessing the web based components tool.

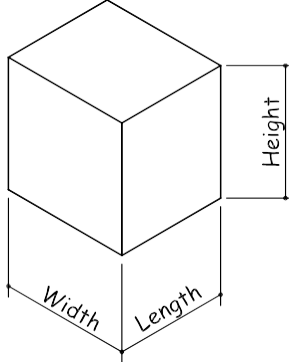
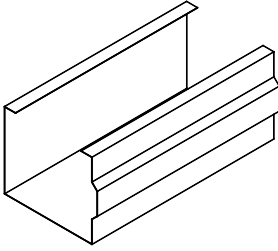
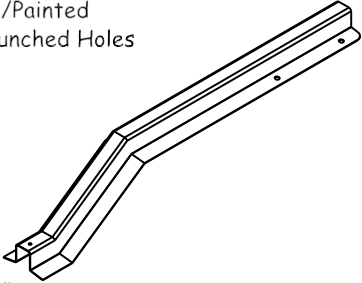
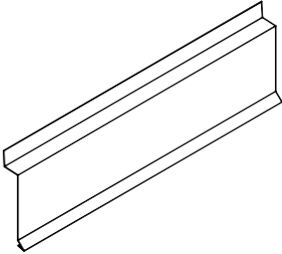
[Steel Store](#)

**Notice:** In keeping with a program of continuous and never ending improvement all information contained herein is subject to change without notice.



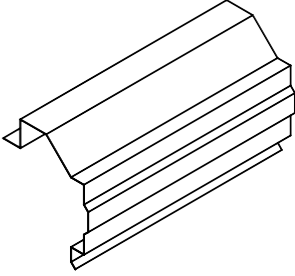
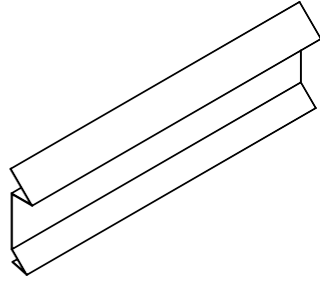
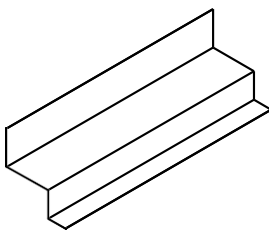
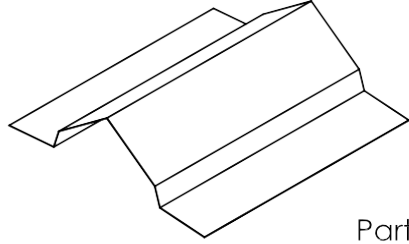
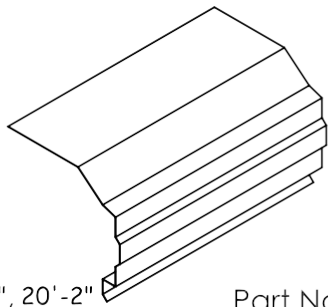
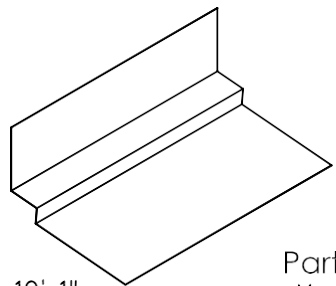
**STANDARD TRIM AND HARDWARE ACCESSORIES**

**ST0010PE – LOW EAVE TRIM**

<p><b><u>DIMENSION INFORMATION</u></b></p> <p>The detail at right shows how the standard parts are dimensioned. Note that the dimensions given are nominal. Some parts do not have all 3 (length, width, height) dimensions given, as they may not be relevant.</p> 	<p><b><u>GUTTER</u></b></p> <p>26 Gauge Steel Painted</p>  <p>Length = 10'-1," 20'-2" Width = 8 1/8" Height = 7"</p> <p>Part No. GTA01=10'-1" GTA02=20'-2"</p>
<p><b><u>GUTTER BRACKET</u></b></p> <p>22 Gauge Steel Galvalume/Painted Factory Punched Holes</p>  <p>Length = 20" Width = 3" Height = 4"</p> <p>Part No. H2640</p>	<p><b><u>LOW EAVE TRIM</u></b></p> <p>26 Gauge Steel Painted</p>  <p>Length = 10'-2" Width = 1 1/2" Height = 7"</p> <p>Part No. LEA01</p>

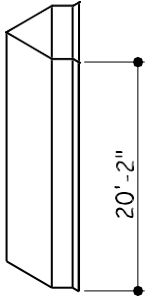
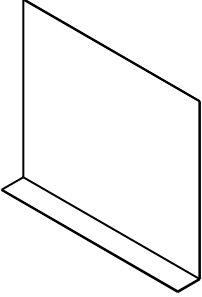
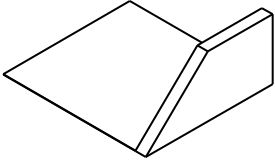
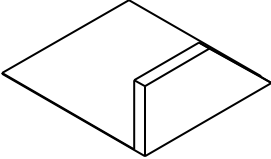
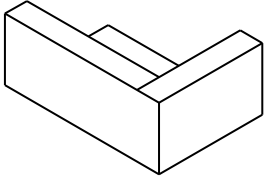
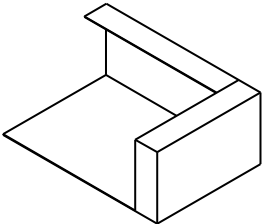


**ST0020PE – RAKE, RIDGE, AND HIGH EAVE TRIM**

<p><u>SCULPTURED RAKE TRIM</u></p> <p>26 Gauge Steel Painted</p>  <p>Length = 10'-1", 20'-2" Width = 9 3/8" Height = 12"</p> <p>Part No. RTA01 - 10'-1" RTA02 - 20'-2"</p>	<p><u>RAKE RETAINER TRIM</u></p> <p>26 Gauge Steel Painted</p>  <p>Length = 10'-1" Width = 3/4" Height = 2 1/2"</p> <p>Part No. RRA01</p>
<p><u>RAKE PARAPET TRIM</u></p> <p>26 Gauge Galvalume (Std.) Painted Available</p>  <p>Length = 10'-1" Width = 6 3/4" Height = 6 3/4"</p> <p>Part No. RPA01</p>	<p><u>RIDGE CAP</u></p> <p>26 Gauge Galvalume (Std.) Painted Available</p>  <p>Length = 10'-1", 20'-2" Width = 22 3/4" Height = 11"</p> <p>Part No. Varies with roof slope, see erection dwgs</p>
<p><u>SCULPTURED HIGH EAVE TRIM</u></p> <p>26 Gauge Steel Painted</p>  <p>Length = 10'-1", 20'-2" Width = 12 1/2" Height = 12"</p> <p>Part No. HEB01 - 10'-1" HEB02 - 20'-2"</p>	<p><u>HIGH EAVE PARAPET TRIM</u></p> <p>26 Gauge Galvalume (Std.) Painted Available</p>  <p>Length = 10'-1" Width = 11 1/2" Height = 8"</p> <p>Part No. HP_01 Varies with roof slope, see erection dwgs</p>

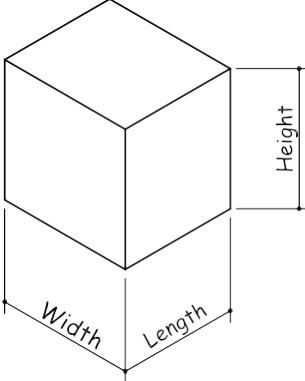
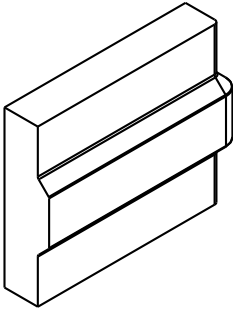
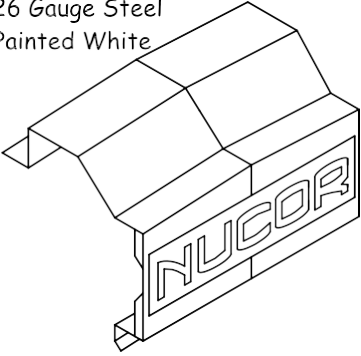
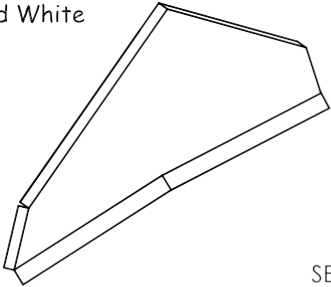
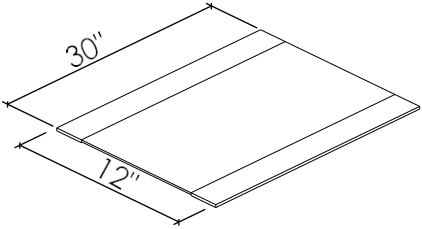


**ST0030PE – WALL TRIM AND ROOF LINE CORNER PIECES**

<p><b>WALL OUTSIDE CORNER TRIM</b></p> <p>26 Gauge Steel Painted</p>  <p>Length = 20' -2" Width = 7 1/2" Height = 7 1/2"</p> <p>Part No. OCA01</p>	<p><b>GUTTER/RAKE TRIM</b></p> <p>26 Gauge Steel Painted</p>  <p>Length = 8" Width = 1" Height = 7"</p> <p>Part No. GRA01</p>
<p><b>RAKE END CAP - LEFT</b></p> <p>26 Gauge Steel Painted</p>  <p>Length = 6" Width = 6" Height = 2 3/4"</p> <p>Part No. RCA01</p>	<p><b>RAKE END CAP - RIGHT</b></p> <p>26 Gauge Steel Painted</p>  <p>Length = 6" Width = 6" Height = 2 3/4"</p> <p>Part No. RCA02</p>
<p><b>RAKE PARAPET END CAP - LEFT</b></p> <p>26 Gauge Steel Painted</p>  <p>Length = 4 3/4" Width = 7" Height = 2 3/4"</p> <p>Part No. RCB01</p>	<p><b>RAKE PARAPET END CAP - RIGHT</b></p> <p>26 Gauge Steel Painted</p>  <p>Length = 4 3/4" Width = 7" Height = 2 3/4"</p> <p>Part No. RCB02</p>

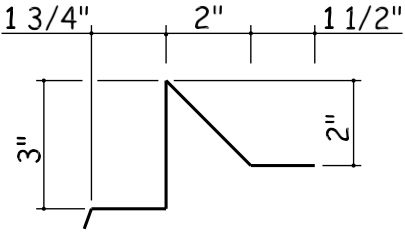
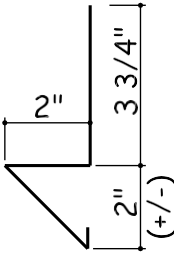
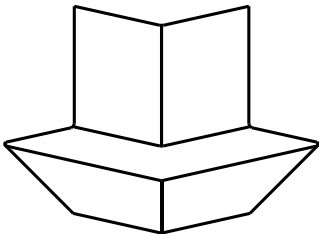
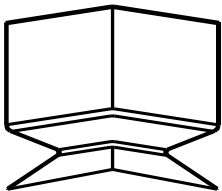


**ST0040PE – ROOF LINE CORNER PIECES**

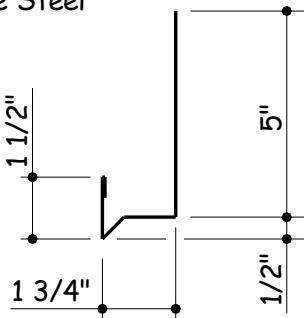
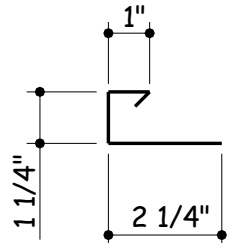
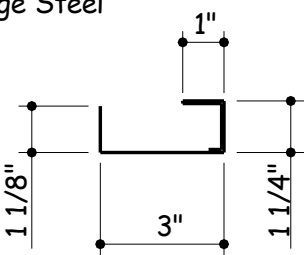
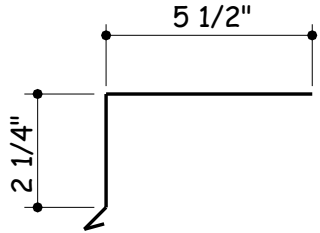
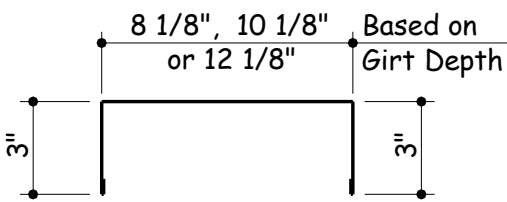
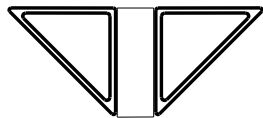
<p><b>DIMENSIONAL INFORMATION</b></p> <p>The detail at right shows how the standard parts are dimensioned. Note that the dimensions given are nominal. Some parts do not have all 3 (length, width, height) dimensions given, as they may not be relevant.</p> 	<p><b>CORNER CAP</b></p> <p>26 Gauge Steel Painted</p>  <p>Length = 8" Width = 1" Height = 7"</p> <p>Part No. H4000</p>
<p><b>PEAK BOX</b></p> <p>26 Gauge Steel Painted White</p>  <p>Part No. SEE ROOF TRIM INSTALLATION SECTION FOR PART NUMBERS</p>	<p><b>PEAK PLATE TRANSITION (RIDGE)</b></p> <p>26 Gauge Steel Painted White</p>  <p>Part No. SEE ROOF TRIM INSTALLATION SECTION FOR PART NUMBERS</p>
<p><b>PEAK TRANSITION (RAKE PARAPET)</b></p> <p>Expandable Edged Flash</p>  <p>Length = 30" Width = 12" Material = Grey TPE</p> <p>Part No. RPT30</p>	



**ST0050PE – WALL TRIM**

<p><u>STANDARD BASE TRIM</u> 18 Gauge Steel</p>  <p>Part No. BSA01 x 10'-1" BSA02 x 20'-2"</p>	<p><u>OPTIONAL BASE TRIM</u> 26 Gauge Steel</p>  <p>Part No. BSB01</p>
	<p><u>OUTSIDE CORNER</u> (For Optional Base Trim)</p>  <p>Part No. H4200</p>
	<p><u>INSIDE CORNER</u> (For Optional Base Trim)</p>  <p>Part No. H4210</p>

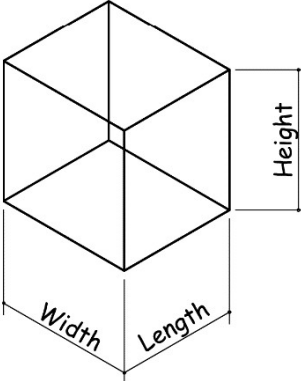
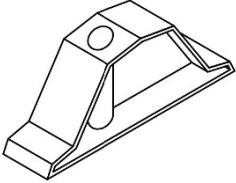
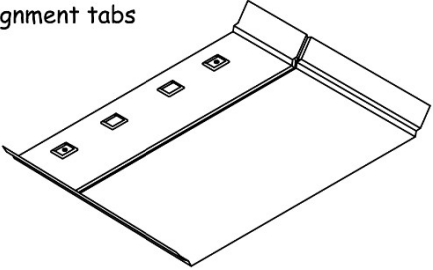
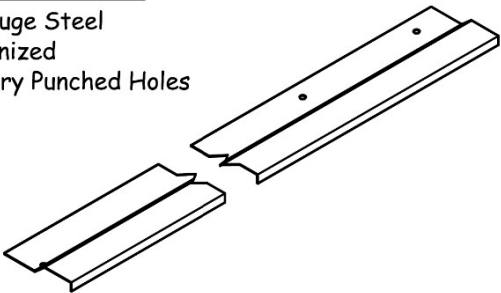
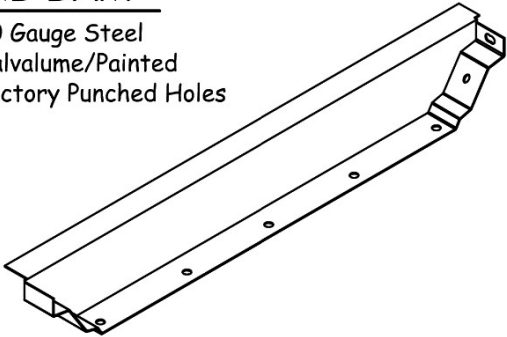
**ST0060PE – FRAMED OPENING TRIM**

<p><b><u>HEAD TRIM</u></b> 26 Gauge Steel</p>  <p>Part No. HTA__</p>	<p><b><u>JAMB TRIM</u></b> For Classic and Accent Panel 26 Gauge Steel</p>  <p>Part No. JTA__</p>
<p><b><u>JAMB TRIM</u></b> For Reverse Classic Panel 26 Gauge Steel</p>  <p>Part No. JTD__</p>	<p><b><u>SILL TRIM</u></b> 26 Gauge Steel</p>  <p>Part No. STA__</p>
<p><b><u>JAMB COVER TRIM</u></b> 26 Gauge Steel</p>  <p>Based on Girt Depth</p> <p>Part Numbers CCA__ -8" Girts CCB__ -10" Girts CCC__ -12" Girts</p>	<p><b><u>PLASTIC DOOR END CLOSURE</u></b> (For Optional Base Trim at F. O.'s) Left and Right Part included as shown</p>  <p>Part No. H4220</p>



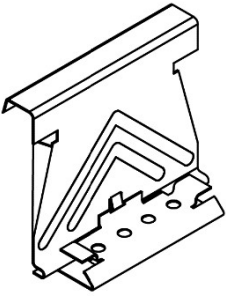
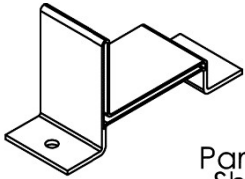
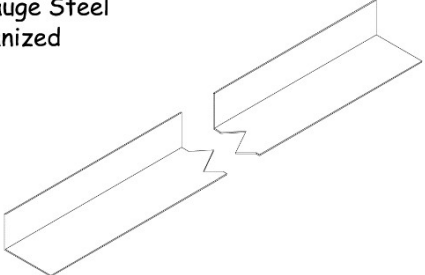
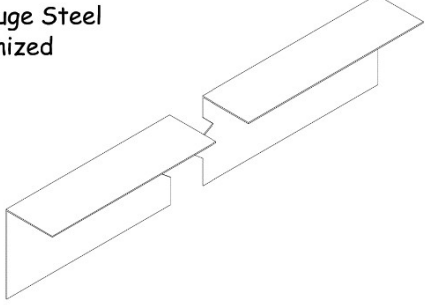
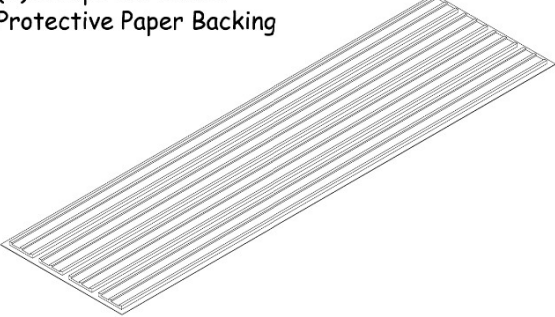
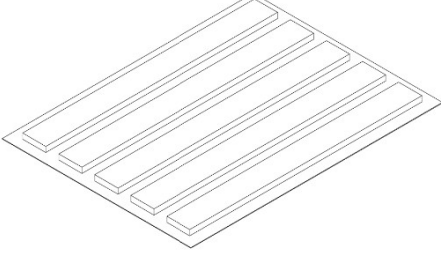


**ST0070PE – NUCOR CFR™ ROOF HARDWARE**

<p><b><u>DIMENSION INFORMATION</u></b></p> <p>The detail at right shows how the standard parts are dimensioned. Note that the dimensions given are nominal. Some parts do not have all 3 (length, width, height) dimensions given, as they may not be relevant.</p> 	<p><b><u>VOID CLOSURE</u></b></p> <p>Polypropylene Plastic - Black Factory Hole</p>  <p>Length = 4 9/16" Width = 1" Height = 2"</p> <p>Part No. H2630</p>
<p><b><u>BACK-UP PLATE</u></b></p> <p>16 Gauge Steel Galvanized Factory alignment tabs</p>  <p>Length = 24" Width = 12 1/2"</p> <p>Part No. H2650</p>	
<p><b><u>EAVE PLATE</u></b></p> <p>18 Gauge Steel Galvanized Factory Punched Holes</p>  <p>Length = 9'-0" Width = 3 1/2" Height = Short 1/2", Tall 1 1/2", Super Tall 2 1/2"</p> <p>(See the Erection Dwgs for Part No 's)</p>	<p><b><u>END DAM</u></b></p> <p>20 Gauge Steel Galvalume/Painted Factory Punched Holes</p>  <p>Length = 23 7/8" Width = 2" Height = 3"</p> <p>Part No. H2600</p>

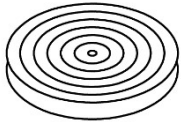
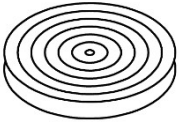
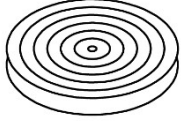
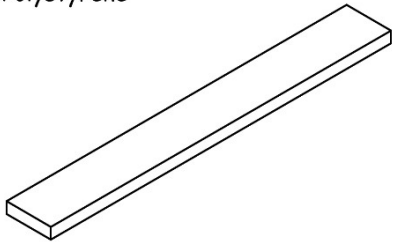
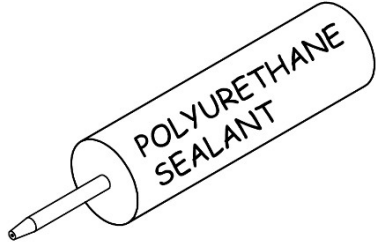



**ST0080PE – NUCOR CFR™ ROOF HARDWARE**

<p><b>CFR CLIP</b> (See Erection Dwgs for Part No's) (Fixed and Floating Clips Available)</p> <p>20 Gauge Steel Galvanized</p>  <p>Length = 4 1/4" Height = 3 1/2" Short, 4 1/2" Tall, 5 1/2" Super Tall</p>	<p><b>RAKE ANGLE CLIP</b></p> <p>16 Gauge Steel Galvanized Factory Punched Holes</p>  <p>Part Number Short-H2041 Tall-H2051 Super Tall-H2061</p> <p>Length = 5 11/16" Width = 1 1/2" Stand-off Height = 1/2" Short, 1 1/2" Tall, 2 1/2" Super Tall</p>
<p><b>RAKE ANGLE</b></p> <p>16 Gauge Steel Galvanized</p>  <p>Length = 20'-0" Width = 3" Height = 2" Part No. MAR02</p>	<p><b>WALL RAKE ANGLE</b></p> <p>16 Gauge Steel Galvanized</p>  <p>Length = 20'-0" Width = 3" Height = 5" Part No. MAR01</p>
<p><b>27" PRE-CUT MASTIC</b></p> <p>(4) Strips Per Sheet Protective Paper Backing</p>  <p>Width = 1 1/2" Thickness = 3/16" Part No. H3650</p>	<p><b>8" PRE-CUT MASTIC</b></p> <p>(5) Strips Per Sheet Protective Paper Backing</p>  <p>Width = 1" Thickness = 1/4" Part No. H3640</p>

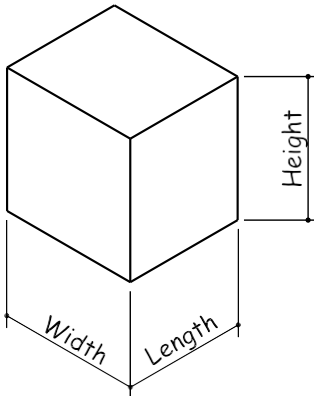
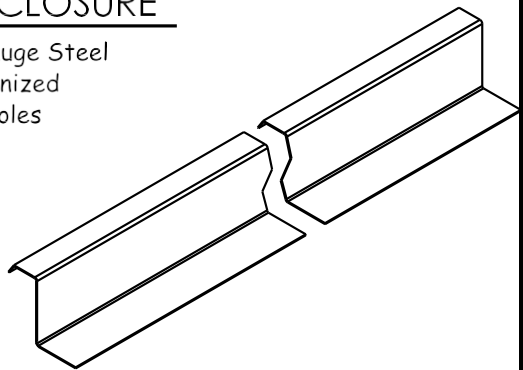
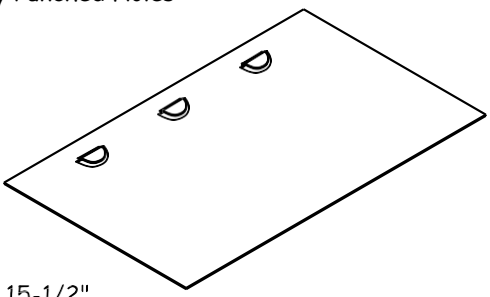
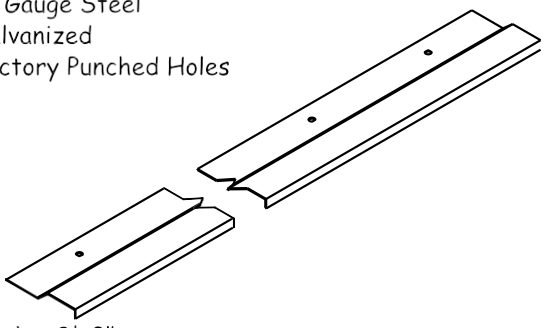
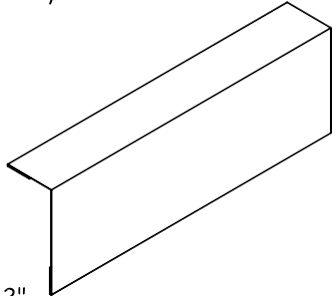
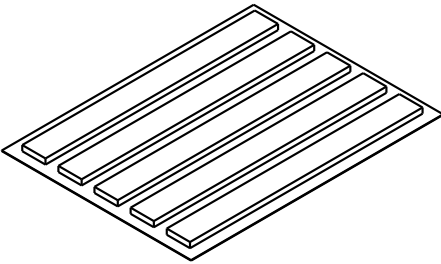


**ST0090PE – NUCOR CFR™ ROOF TAPE MASTIC AND CAULK**

<p><u>TAPE MASTIC</u> Isobutylene Tripolymer 30'-0" Roll</p>  <p>Width = 1 1/2" Thickness = 1/8"</p> <p>Part No. H3001</p>	<p><u>TAPE MASTIC</u> Isobutylene Tripolymer 20'-0" Roll</p>  <p>Width = 2 1/4" Thickness = 3/16"</p> <p>Part No. H3020</p>
<p><u>TAPE MASTIC</u> Isobutylene Tripolymer 50'-0" Roll</p>  <p>Width = 1/2" Thickness = 3/32"</p> <p>Part No. H3010</p>	
<p><u>THERMAL BLOCK</u> Expanded Polystyrene</p>  <p>Length = 23" Width = 3" Thickness = 13/16" Thickness = 1"</p> <p>Part No. H3300 Part No. H3301</p>	<p><u>POLYURETHANE TUBE CAULK</u> For Use At Trim Laps</p>  <p>Part No. H3152</p>
<p><u>BUTYL TUBE CAULK</u> Roof Applications</p>  <p>Part No. H3151</p>	

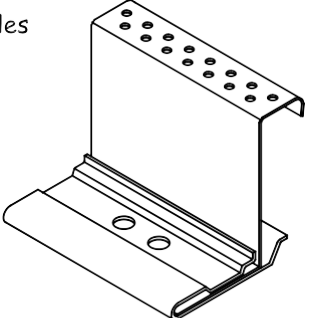
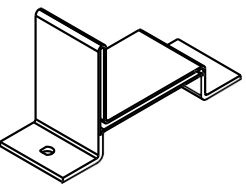
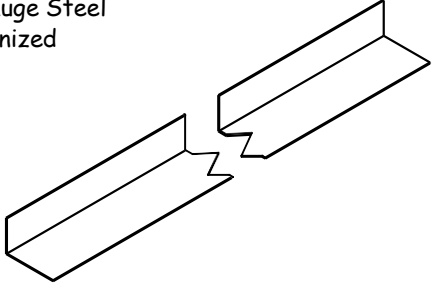
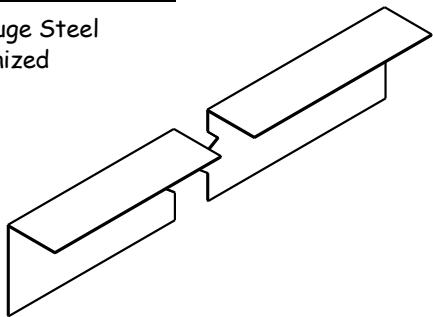
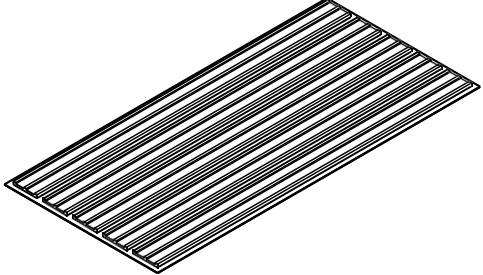
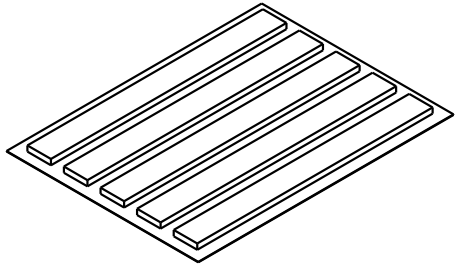


**V2SSEM0430 – NUCOR VR16 II™ ROOF HARDWARE**

<p><b><u>DIMENSION INFORMATION</u></b></p> <p>The detail at right shows how the standard parts are dimensioned. Note that the dimensions given are nominal. Some parts do not have all 3 (length, width, height) dimensions given, as they may not be relevant.</p> 	<p><b><u>ZEE CLOSURE</u></b></p> <p>18 Gauge Steel Galvanized No Holes</p>  <p>Length = 15'-2" Width = 2-1/2" Height = 2-3/16"</p> <p>Part No. TRCZ</p>
<p><b><u>LAP STIFFENER</u></b></p> <p>16 Gauge Steel Pre-Painted Prime Gray Factory Punched Holes</p>  <p>Length = 15-1/2" Width = 12-1/2"</p> <p>Part No. LSLS-1</p>	<p><b><u>EAVE PLATE</u></b></p> <p>18 Gauge Steel Galvanized Factory Punched Holes</p>  <p>Length = 9'-0" Width = 3 1/2" Height = Short 1/2", Tall 1 1/2"</p> <p>(See the Erection Dwgs for Part No's)</p>
<p><b><u>ZEE CLOSURE COVER FLASHING</u></b></p> <p>26 Gauge Steel PVDF Finish only</p>  <p>Length = 15'-2" Width = 1" Height = 2"</p> <p>Part No. TL1</p>	<p><b><u>3" PRE-CUT MASTIC</u></b></p> <p>(5) Strips Per Sheet Protective Paper Backing</p>  <p>Width = 7/8" Thickness = 3/16"</p> <p>Part No. 3 TP</p>

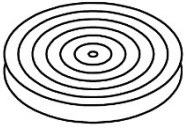
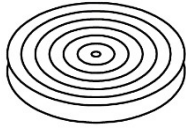
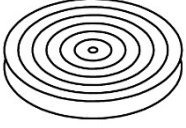
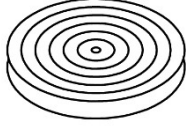
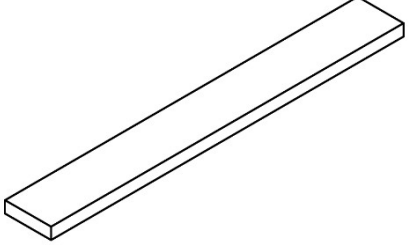
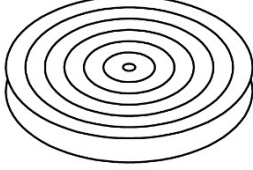

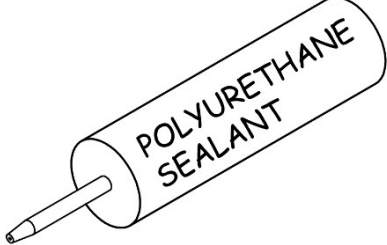


**V2SSEM0440 – NUCOR VR16 II™ ROOF HARDWARE**

<p><b>VR16-II CLIP</b> (See Erection Dwgs for Part No's)</p> <p>24 Gauge Steel Galvanized Factory Punched Holes</p>  <p>Length = 3" Width = 2-1/8" Height = 2-1/2" Short, 3-1/2" Tall</p>	<p><b>RAKE ANGLE CLIP</b></p> <p>16 Gauge Steel Galvanized Factory Punched Holes</p>  <p>Length = 5- 11/16" Width = 1 1/2" Height = 2-3/4" Short, 3-3/4" Tall</p> <p>Part Number Short-H2041 Tall-H2051</p>
<p><b>RAKE ANGLE</b></p> <p>16 Gauge Steel Galvanized</p>  <p>Length = 20'-0" Width = 3" Height = 2"</p> <p>Part No. MAR02</p>	<p><b>RAKE ANGLE</b></p> <p>16 Gauge Steel Galvanized</p>  <p>Length = 20'-0" Width = 3" Height = 5"</p> <p>Part No. MAR01</p>
<p><b>15-7/8" PRE-CUT MASTIC</b></p> <p>(5) Strips Per Sheet Protective Paper Backing</p>  <p>Width = 1-1/2" Thickness = 1/8"</p> <p>Part No. 1-1/2 TP-L</p>	<p><b>8" PRE-CUT MASTIC</b></p> <p>(5) Strips Per Sheet Protective Paper Backing</p>  <p>Width = 1" Thickness = 1/4"</p> <p>Part No. H3640</p>








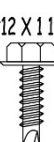
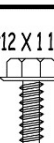


**VSSEM0450 – NUCOR VR16 II™ ROOF TAPE MASTIC AND CAULK**

<p><u>TAPE MASTIC</u> Isobutylene Tripolymer 50'-0" Roll</p>  <p>Width = 3/4" Thickness = 3/16"</p> <p>Part No. H3000</p>	<p><u>TAPE MASTIC</u> Isobutylene Tripolymer 30'-0" Roll</p>  <p>Width = 1 1/2" Thickness = 1/8"</p> <p>Part No. H3001</p>
<p><u>TAPE MASTIC</u> Isobutylene Tripolymer 50'-0" Roll</p>  <p>Width = 1/2" Thickness = 3/32"</p> <p>Part No. H3010</p>	<p><u>TAPE MASTIC</u> Isobutylene Tripolymer 20'-0" Roll</p>  <p>Width = 2 1/4" Thickness = 3/16"</p> <p>Part No. H3020</p>
<p><u>THERMAL BLOCK</u> Expanded Polystyrene</p>  <p>Length = 15" Width = 3" Height = 13/16"</p> <p>Part No. H4400</p>	<p><u>EPS FOAM SPACER</u> Expanded Polystyrene 50'-0" Roll</p>  <p>Width = 2 1/2" Thickness = 1/2"</p> <p>Part No. H3310</p>
<p><u>BUTYL TUBE CAULK</u> Roof Applications</p>  <p>Part No. H3151</p>	<p><u>POLYURETHANE TUBE CAULK</u> For Use At Trim Laps</p>  <p>Part No. H3152</p>



**ST0100PE – FASTENERS**

FASTENER	SPECIFICATIONS	USAGE
 <p>H1000</p>	<p><b>SELF-TAPPING SCREW</b> No. 17-14x1 1/4" W/ Sealing Washer "GOOF-SCREW" Recommended Tool Types: (High Torque, Low RPM) Torque Adjustable Clutch -DO NOT use Impacting Tools LONG LIFE FASTENER - 3/8" HEAD</p>	<p>CFR Roof: Used at locations where fastener has stripped out. VR16 II Roof: Used at locations where fastener (#14x1) has stripped out.</p>
 <p>H1020</p>	<p><b>SELF-DRILLING SCREW</b> No. 1/4-14x1 1/4" TCP3 W/O Washer 5/16" HEAD Recommended Tool Types: -2000 RPM; Torque Adjustable Clutch -4 Amp or Higher Rated Tools -DO NOT use Impacting Tools</p>	<p>CFR Roof: Used to attach panel clips, end dams, rake angle clips, and rake angle to purlins. VR16 II Roof: Used to attach rake angle clips and rake angle to purlins.</p>
 <p>H1022</p>	<p><b>SELF-DRILLING SCREW</b> No. 1/4-14x1 1/2" TCP3 W/O Washer 5/16" HEAD Recommended Tool Types: -2000 RPM; Torque Adjustable Clutch -4 Amp or Higher Rated Tools -DO NOT use Impacting Tools</p>	<p>CFR Roof: Used to attach panel clips with greater than 8" of roof insulation</p>
 <p>#14x1</p>	<p><b>SELF-DRILLING SCREW</b> No. 1/4-14x1 " W/ Sealing Washer LONG LIFE FASTENER - 5/16" HEAD Recommended Tool Types: -2000-2500 RPM; Torque Adjustable Clutch -DO NOT use Impacting Tools</p>	<p>Used attach roof panel, roof flashing and light gage parts. Maximum Insulation thickness is 6".</p>
 <p>H1070</p>	<p><b>SELF-DRILLING SCREW</b> No. 12-24x1 1/2" TCP5 W/O Washer 5/16" HEAD Recommended Tool Types: 2000 RPM; Torque Adjustable Clutch 4 Amp or Higher Rated Tools -DO NOT use Impacting Tools</p>	<p>CFR Roof: Used to attach panel clips, rake angle clips and rake angle to joists. VR16 II Roof: Used to attach rake angle clips and rake angle to joists.</p>
 <p>H1100</p>	<p><b>POP RIVET</b> 1/8" Blind Pop Rivet Recommended Tool Types: -Manual or Electric Rivet Tool -DO NOT use Impacting Tools</p>	<p>Used at trim laps, corner caps and attaching light gage material to siding where stitch screws can't be used.</p>
 <p>H2200</p>	<p><b>INSULATION RETAINER WASHER</b> 1 1/4" Steel Flat Washer with 5/16" diameter hole</p>	<p>Used with self-drilling screws to attach insulation at the building eave.</p>
 <p>#12 X 1 1/4"</p>	<p><b>SELF-DRILLING SCREW</b> No. 12-14x1 1/4" TEK 3 W/O Washer 5/16" HEAD Recommended Tool Types: -2000 RPM; Torque Adjustable Clutch -4 Amp or Higher Rated Tools -DO NOT use Impacting Tools</p>	<p>VR 16 II: Used to attach panel clips to purlins.</p>
 <p>#12 X 1 1/2"</p>	<p><b>SELF-DRILLING SCREW</b> No. 12-24x1 1/2" TEK 5 W/O Washer 5/16" HEAD Recommended Tool Types: -2000 RPM; Torque Adjustable Clutch -4 Amp or Higher Rated Tools -DO NOT use Impacting Tools</p>	<p>VR 16 II: Used to attach panel clips to joists.</p>